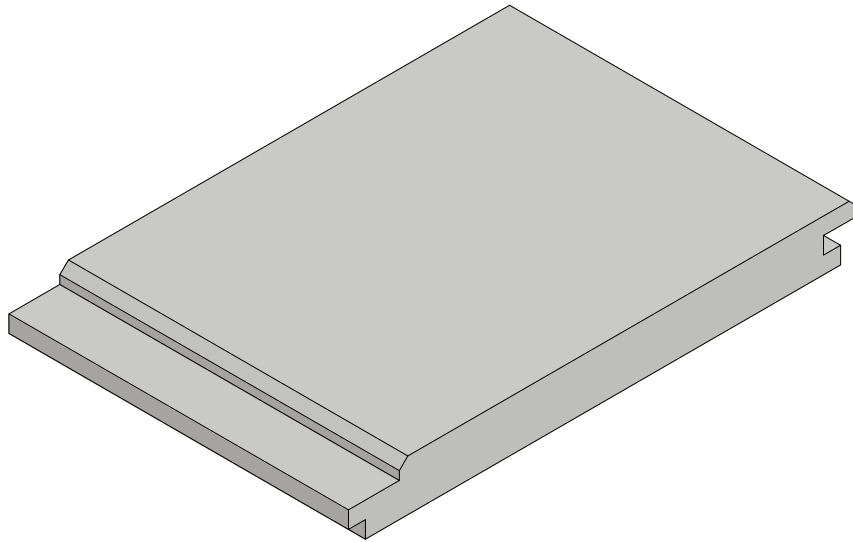
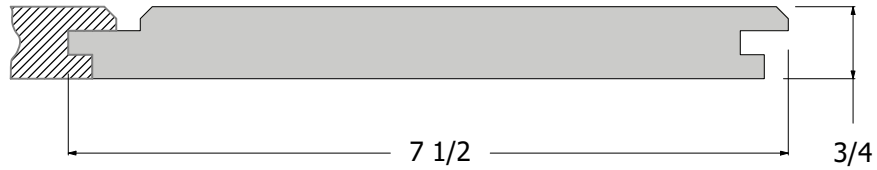



Back checking is standard on flooring only,
but is available on request for wall paneling
& ceiling boards.



Note: This is a carbide tool and can be used
on MDF product.
The width is adaptable but the profile is fixed

Scale : 1 : 2	Part Number : TG-10-B	Style : Transitional Modern	 HOMESTEAD WOODWORKS
Back	Description : T & G Paneling		